

- (A)** MP450A CIRCUIT BARD 230V
- (B)** MP"A" POWER CORD 120V ASS
- (C)** INDUCED CIRCUIT MP450 120
- (E)** MP"A" 120V WIRES ASSY
- (M)** MOTOR MP450A 120V

INDEX	REF.	DESIGNATION	
1	29545	MP HANDLE ASS	
2	39359	MP"A" CAP KNOB/SCREW ASSY	
3	39360	MP"A" HANDLE KNOB/CAP ASS	
4	39361	MP"A" SEAL RING/CAP ASSY	
5	39362	MP"A" CAP ARM ASSEMBLY	
6	39508	GRID (x2)	
7	29540	MP TOOL ASSEMBLY	
8	102439	MP RACK	
9	39363	MP"A" SECURITY KNOB ASSY	
10	39364	MPC"A" ARM/CAP ASSEMBLY	
11	39365	MP"A" SWITCH/CAP ASSY	
12	39366	MP"A" LOCK KNOB/CAP ASSY	
13	203057	SCREW M4 X 105	
14	39368	MP"A" SCREW/CAP ASSEMBLY	
15	102572	FERRULE MP450	
16	102940	DEFLECTORE FAN	
17	102728	AIR CONDUCTOR MP	
18	503058	VENTILATOR PIPE	
19	29507	MOTOR BEARING ASS	

robot coupe

MP 450

Pricelist in : ST

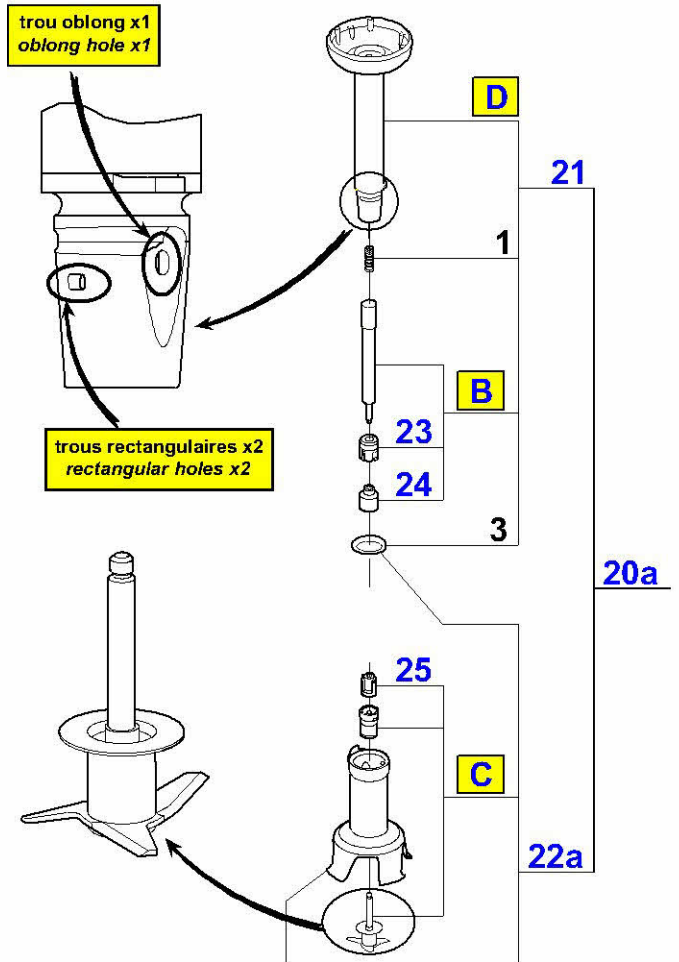
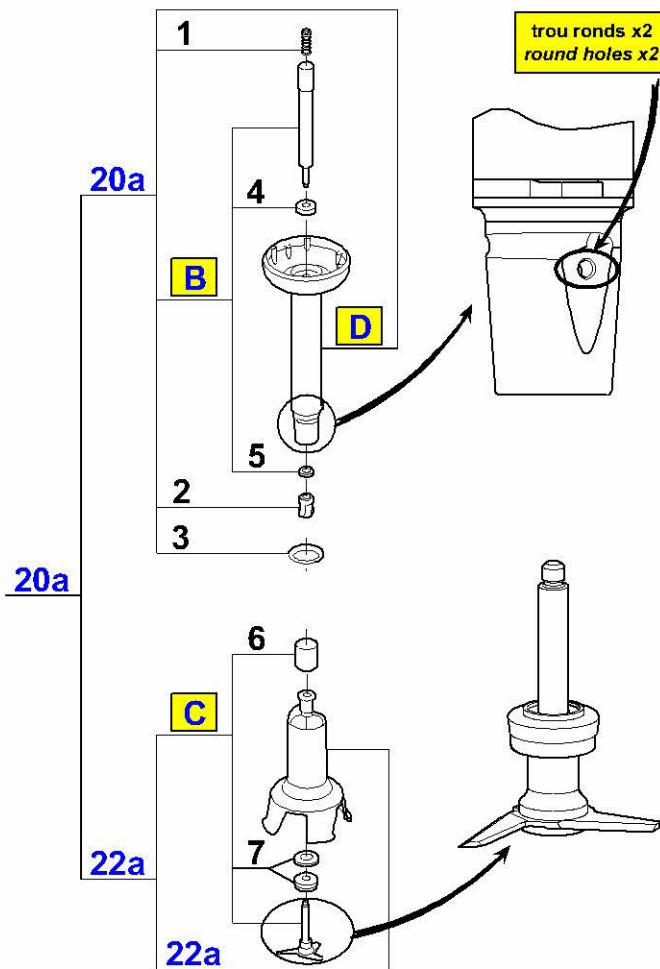
N°	M	Voltage	A	B	C	E	
34004 UK	303186	240 / 50 / 1	39392	39394	29508	39425	

Déterminer la version du tube & de la cloche pour commander certaines pièces (voir tableau ci-dessous)
Determine the series of the tube & end bell to order some parts (see table below)

	Version origine : Tube & cloche <i>Original version : Tube & end bell</i>	Tube version origine & cloche version A <i>Tube original series & end bell series A</i>	Tube version A & cloche version d'origine <i>Tube series A & end bell original series</i>	Tube version A & cloche version A <i>Tube series A & end bell series A</i>
B	8	8		26
C	9	27		27
D	20a	21		21

Version d'origine : Tube & cloche
Original series : Tube & end bell

Version A : Tube & cloche INOX
Series A : Tube & Stainless Steel end bell



ATTENTION : Tous les index suivis de la lettre a sont des pièces ou ensemble remplacés par la version A

WARNING : All indexes followed by the letter a are replaced by series A parts or assemblies

INDEX	REF.	DESIGNATION	
1	102570	SPRING DRIVING SHAFT	
2	102422	DRIVING HUB	
3	102417	MP FOOT SEAL	
4	507005	FOOT BEARING	
5	507004	SEAL	
6	102410	DRIVING FRAME	
7	507000	SEAL RING	
8	29506	DRIVING SHAFT MP450 ASSY	
9	29503	BLADE ASSEMBLY 450	
20a	39338	MP450A COMPLETE FOOT ASSY	
21	39339	MP450A FOOT ASSEMBLY	
22a	39335	MP450A INOX BELL ASSY	
23	39334	MP"A" RING FOOT ASSY	
24	105281	MP DRIVING FRAME INOX	
25	105268	MP DRIVING HUB	
26	39340	MP450A DRIVING SHAFT ASSY	
27	39337	MP450A BLADE ASSY	